

MODEL/DERIVATIVE:
MGF

Bull. N°: 0002
CDS. ref: M7102bu
Issue: 1
Date: 26.11.97

AFFECTED RANGE:
All vehicles up to VIN 23992

PROBLEM:
WATER ENTRY INTO FOOTWELL - AIR BOX

Water enters vehicle following heavy rain. Water entry may be more pronounced if vehicle is parked on an incline.

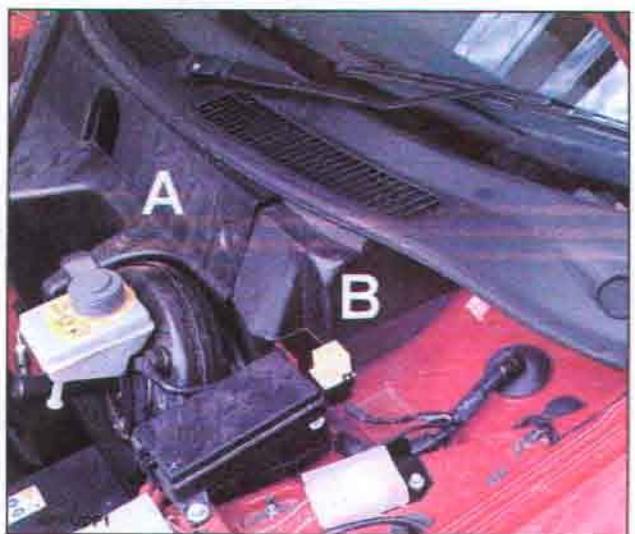
CAUSE:
Heater and ventilating air intake box conditions:

- Mounting seal allowing water through
- Insufficient air box drain holes

ACTION:
All above problems have been resolved with the introduction of a modified air box from Vin 23992. This part is now available and can be fitted to earlier vehicles.

Air box replacement:

1. From under bonnet undo the 2 nuts and single plastic stud securing the plastic bulkhead cover ('A' in photo), then remove cover to allow access to airbox ('B').
2. Slacken only, the 2 outboard servo bracket bolts and remove the 2 inboard bolts. Lift servo out of slotted outboard locations and pull forward slightly for access.



Note:

Take care not to damage the brake pipes during this operation.

3. Remove the 2 vertical 10 mm bolts securing airbox to bulkhead lower.

TECHNICAL BULLETIN N°: 0002 ISSUE: 1

PAGE: 1 OF 2

4. From inside vehicle, remove the 4 screws securing glovebox, disconnect light and remove glovebox.

5. *Vehicles without air conditioning:*

Remove the 10 mm nut securing heater box trunking (arrowed in illustration) to body and remove trunking.

Vehicles with air conditioning:

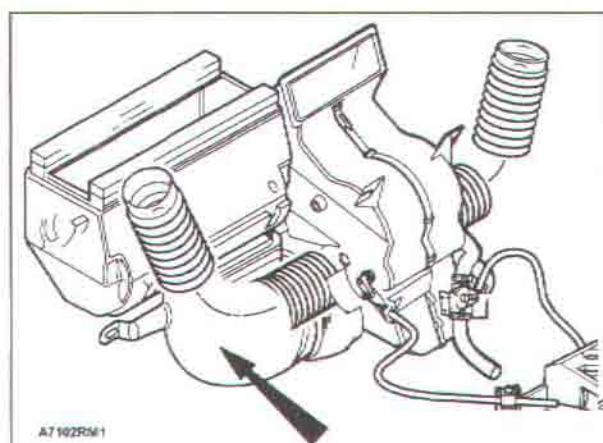
Release the 2 clips securing multi block connectors from the top of the evaporator casing and disconnect air trunking from the demist vent. The inner bulkhead airbox bolts can now be accessed without evaporator disturbance by locating bolts from above evaporator unit.

6. Remove the 2 upper airbox securing bolts from bulkhead inner.

7. From under bonnet, again with servo pulled forward slightly, remove the airbox by rolling over the top of the servo.

8. Fit new air box JKQ 100180 by rolling into position over top of servo.

Re-assemble all components in reverse order. Secure airbox with new fixing screw/washers DYP 100180.



PARTS INFORMATION:
JKQ 100180 - Air box

DYP 100850 - Screw/washer assembly (4 off required)

WARRANTY CLAIMS:
Use Complaint Code: 8N1M

Use S.R.O.: 80.20.26

Time allowance: 1.0 Hrs