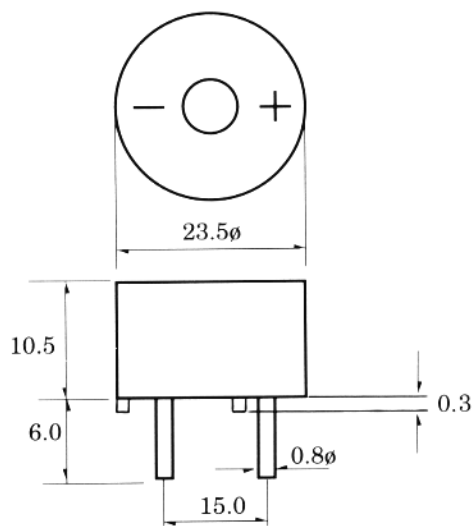


FEATURES:

- ▲ P.C. BOARD MOUNTING
- ▲ SMALL SIZE AND LIGHTWEIGHT
- ▲ HIGH SOUND OUTPUT AND LOW CURRENT DRAIN

Model No	SEP-2222	SEP-2222A
Oscillating Frequency (± 500 Hz)	3,200	
Operating Voltage (VDC)	3~20	
Sound Pressure Level at 30 cm/12VDC (dB min)	74	82
Current Consumption at 12VDC (mA max)	13	10
Tone	Continuous	
Operating Temperature ($^{\circ}$ C)	$-20^{\circ} \sim 60^{\circ}$	
Storage Temperature ($^{\circ}$ C)	$-30^{\circ} \sim 70^{\circ}$	
Weight (Gram)	2.8	



Model No.	SEP-2232	SEP-2232A
Oscillating Frequency(± 500 Hz)	3,200	
Operating Voltage (VDC)	3~20	
Sound Pressure Level at 30 cm/12VDC (dB min)	74	82
Current Consumption at 12VDC (mA max)	13	9
Tone	Continuous	
Operating Temperature ($^{\circ}$ C)	$-20^{\circ} \sim 60^{\circ}$	
Storage Temperature ($^{\circ}$ C)	$-30^{\circ} \sim 70^{\circ}$	
Weight (Gram)	3	

